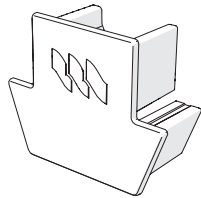


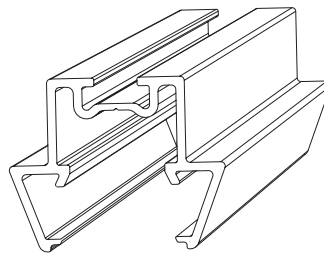


## dECO Screens – Direct fix with Verto™

### Components:

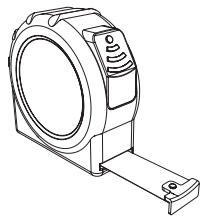


End Caps

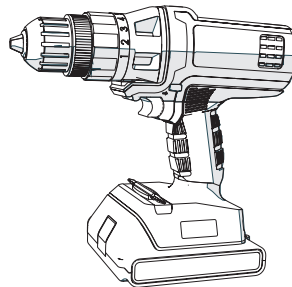


Aluminium Extrusion

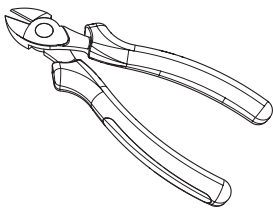
### Tools you'll need:



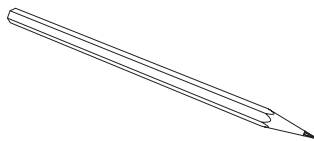
Measuring Tape



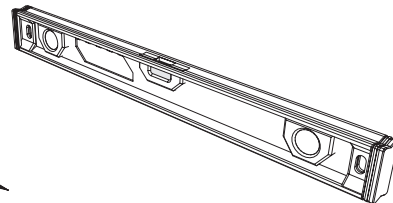
Drill



Side Cutters



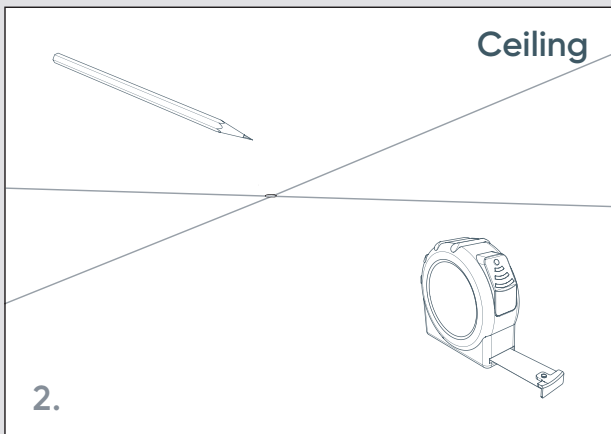
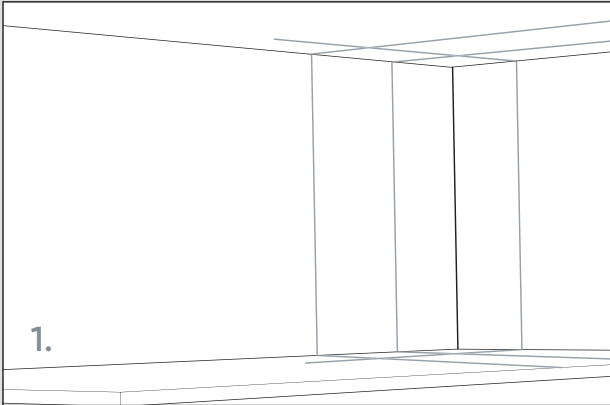
Pencil



Level

## Step 1 and 2

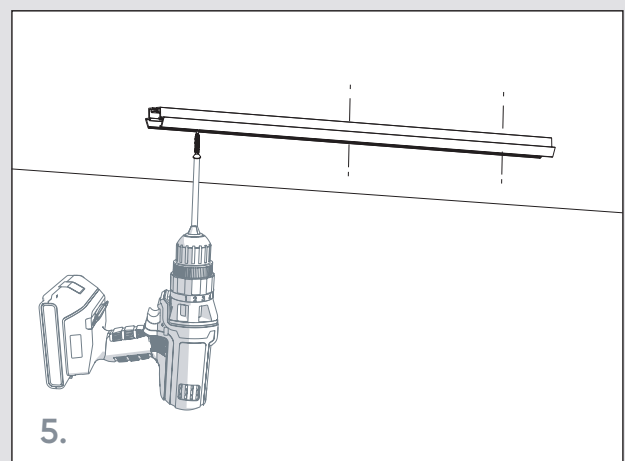
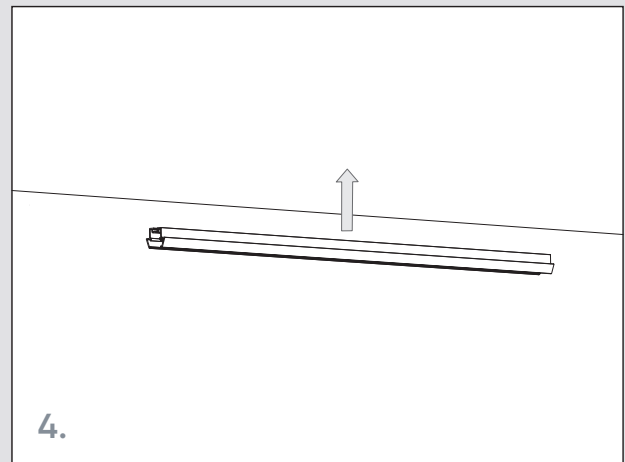
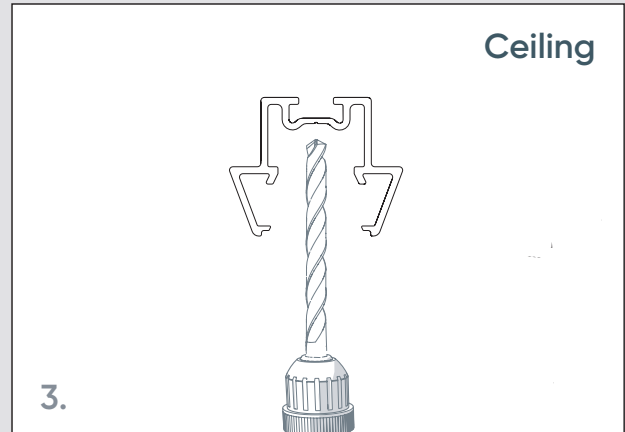
Prepare area and use laser level to mark out desired location of screen.



## Step 3, 4 and 5

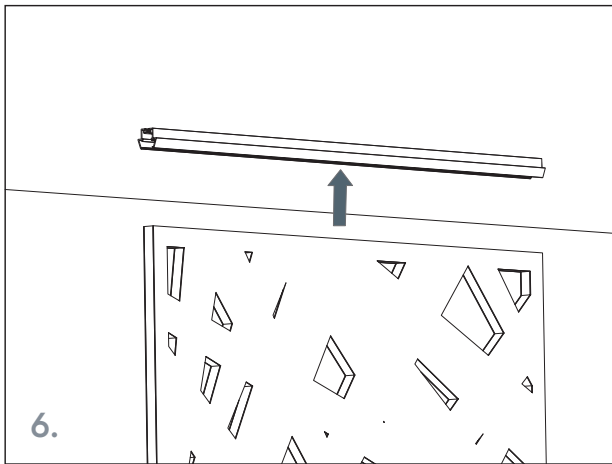
Using the centre line marked on the underside of the extrusion, drill a clearance hole through the aluminium in a minimum of 3 spaces.

Drill the aluminium extrusion into the pre marked location on the ceiling ensuring you are fixing into a structural member.



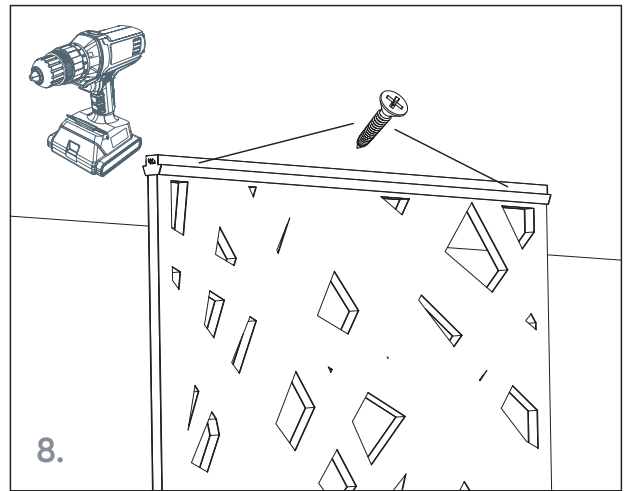
### Step 6

Friction fit the dECO Screens into the aluminium extrusion ensuring it bottoms out.



### Step 8 and 9

For additional fixing you can use the supplied screws to fix the dECO Screens through the aluminium.



### Step 7

Insert end caps on either side of the aluminium extrusion.

