

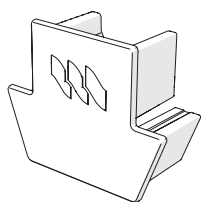
# VERTO™

Making Sound Versatile

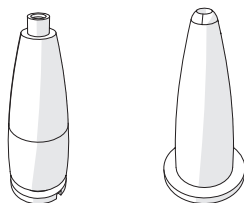
 martini

## Decorative Hanging Screen - Suspended Grid and Tension Instructions

### Components:



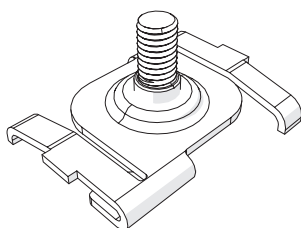
End Caps



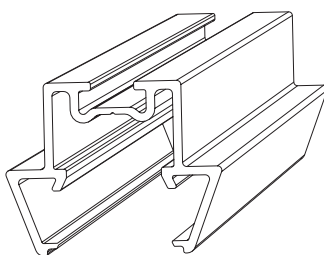
Eclipse Ceiling Ends



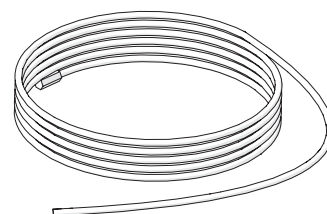
Concrete Dowel



T-Grid Clips

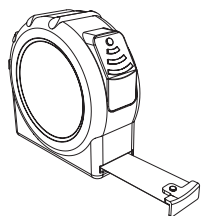


Aluminium Extrusion

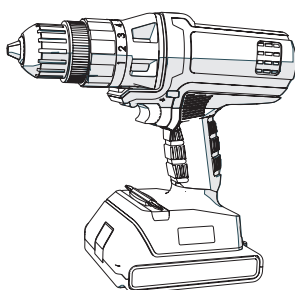


Suspension Wire

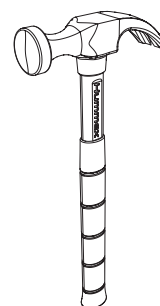
### Tools you'll need:



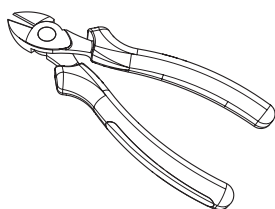
Measuring Tape



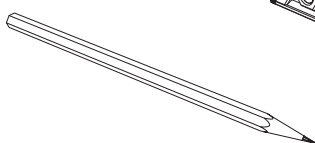
Drill



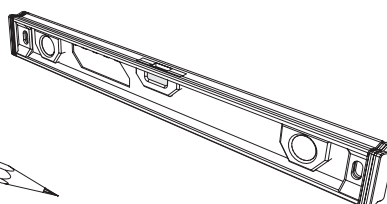
Hammer



Side Cutters



Pencil

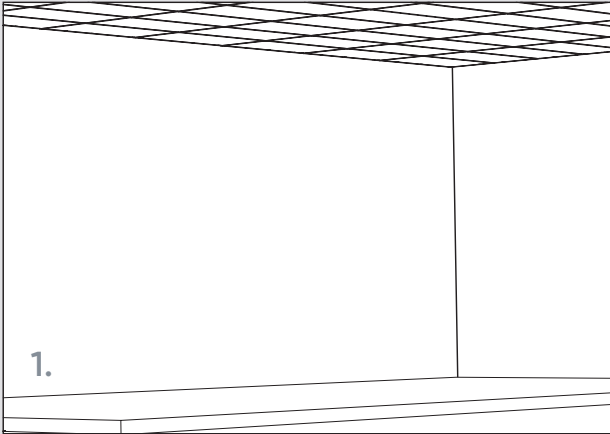


Level



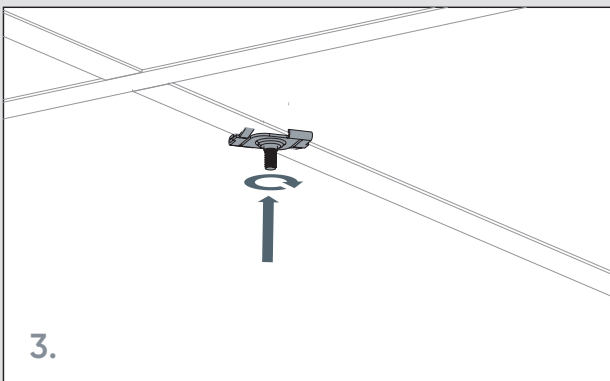
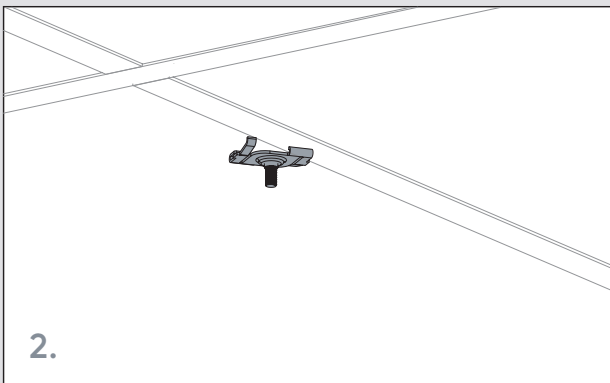
## Step 1

Prepare area and use laser level to mark out desired location of screen.



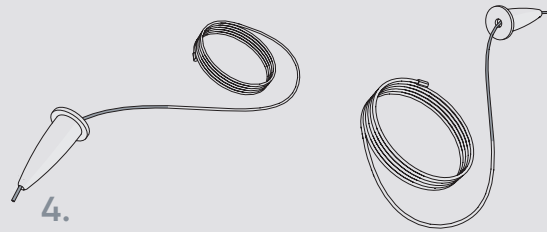
## Step 2 and 3

Measure out area attach T-Grid Clips to grid ceiling system where required.



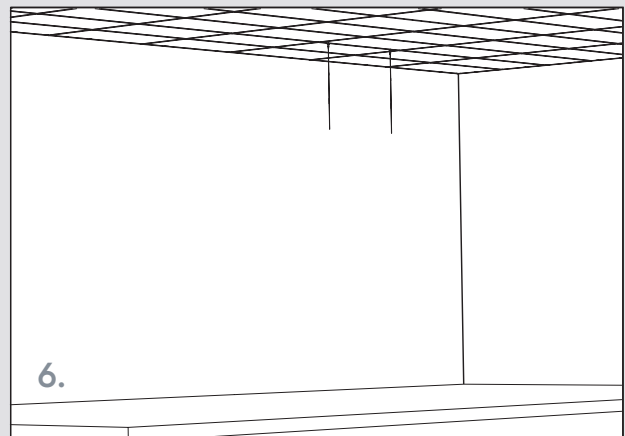
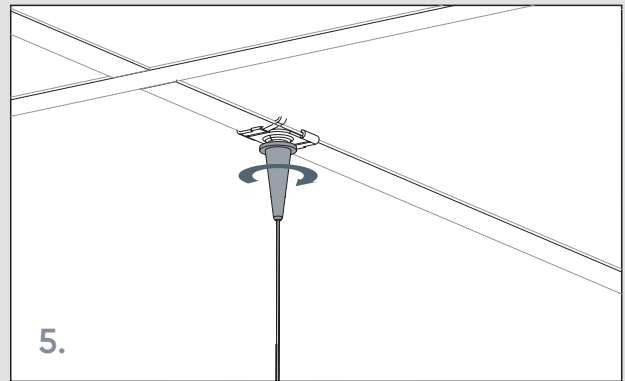
## Step 4

Insert Suspension Wire through the bottom of the Eclipse Ceiling End and pull Suspension Wire all the way through till the end knuckle is secured inside the Eclipse Ceiling End.



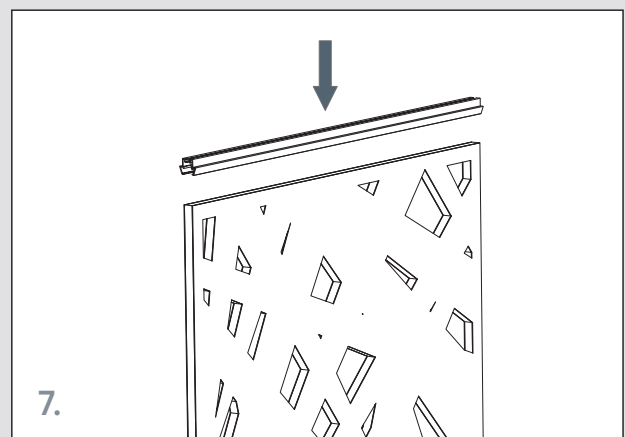
## Step 5 and 6

Screw Eclipse Ceiling End into T Grid Clip. Ensure Eclipse is screwed all the way to the top of the T Grid.



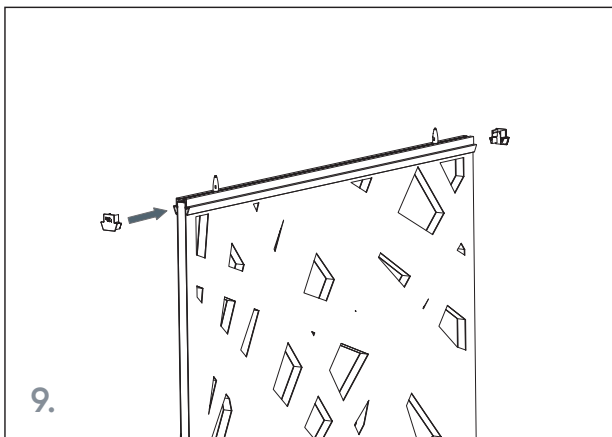
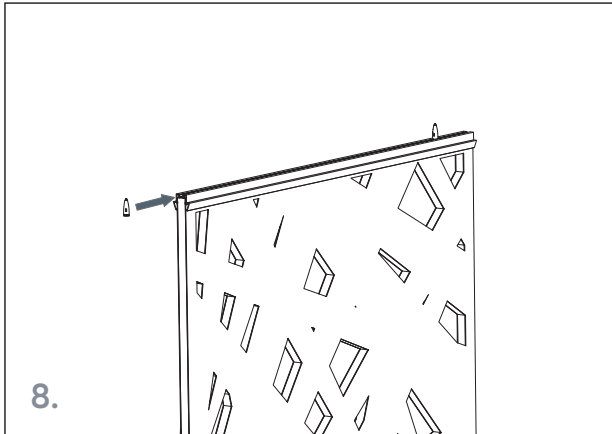
## Step 7

Friction fit aluminium extrusion to top (and bottom if required) of the decorative screen, ensuring it bottoms out on the aluminium.



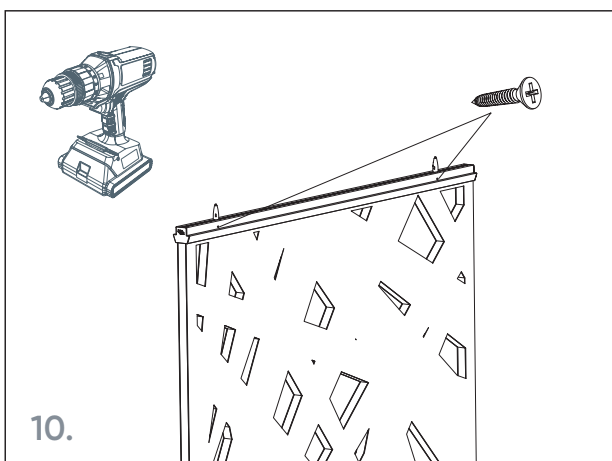
## Step 8 and 9

Slide in both Eclipse Rail Ends into aluminium extrusion. Insert end caps on either side of the aluminium extrusion.



## Step 10

For additional fixing you can use the supplied screws to fix the panel through the aluminium.

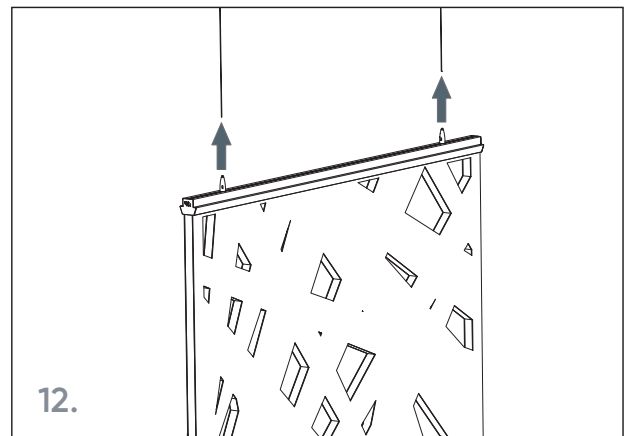


## Step 11

Insert Suspension Cord through the Eclipse Rail End already attached to the aluminium extrusion. Ensure the cord is threaded through the lower hole. Repeat step for all suspension cords.

## Step 12

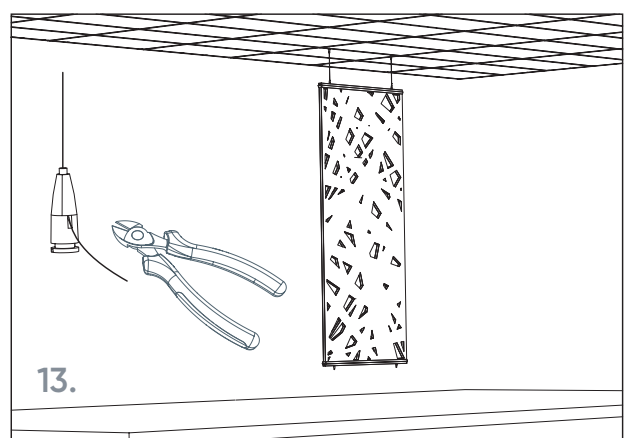
Whilst supporting the suspension cord firmly with one hand, lift the aluminium extrusion to the required height ensuring it is level. Repeat step for other suspension cords.



## Step 13

Once level and in position, cut off excess suspension cord with side cutters.

**NOTE:** Once you cut this excess suspension cord you can no longer lower the height of this system.  
**MAKE SURE YOU ARE 100% HAPPY WITH THIS HEIGHT BEFORE CUTTING CORD.**

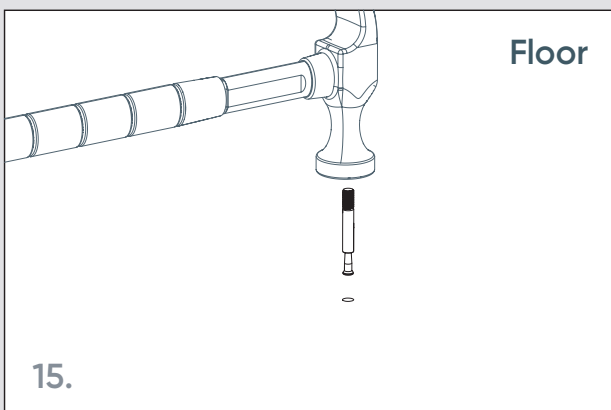
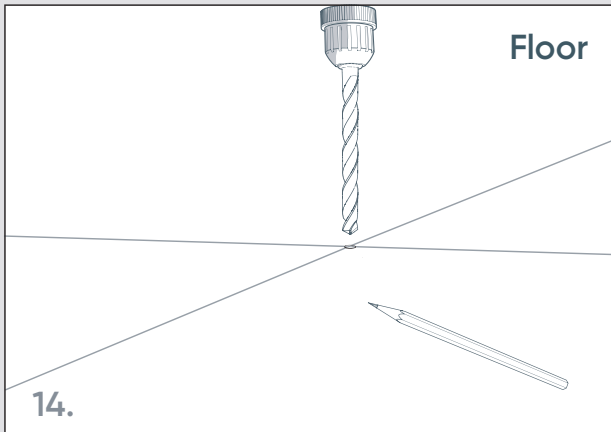


## IF TENSION FITTING TO THE FLOOR:

Repeat steps 7-10 on the bottom.  
Then follow up with steps 14-18 below.

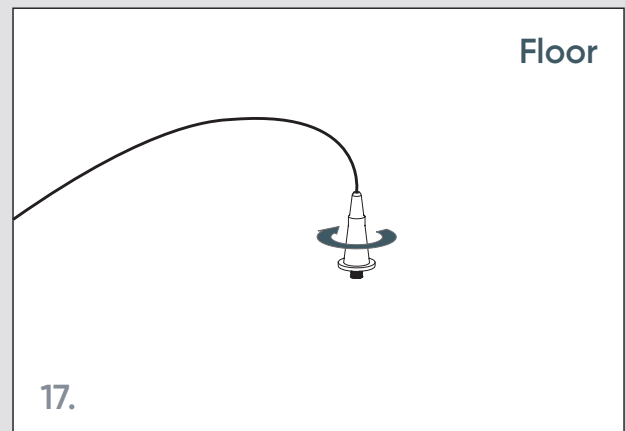
### Step 14 and 15

Measure out area and mark spacing for required hole. Drill a 30mm hole.  
Hammer concrete dowel into hole.



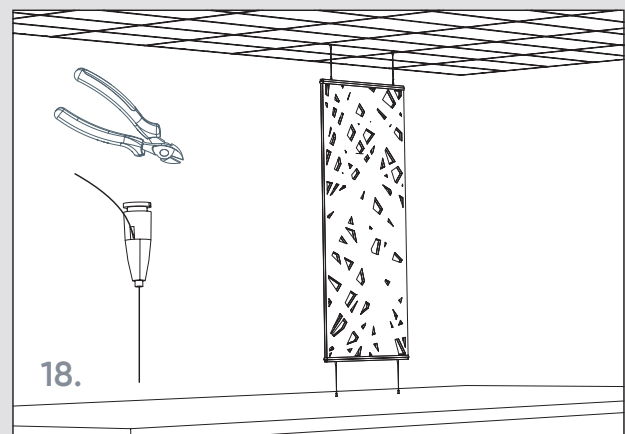
### Step 17

Screw Eclipse End into Concrete Dowel.  
Ensure Eclipse is screwed all the way to the bottom of the dowel.



### Step 18

Tension and cut bottom cords.



### Step 16

Insert Suspension Wire through the bottom of the Eclipse Ceiling End and pull Suspension Wire all the way through till the end knuckle is secured inside the Eclipse Ceiling End.

