

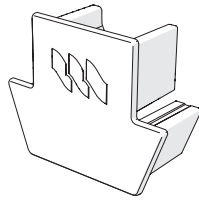
VERTO™

Making Sound Versatile

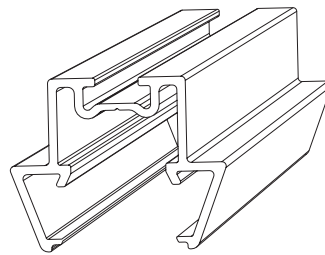
 **martini**

Decorative Hanging Screen - Direct Fix

Components:

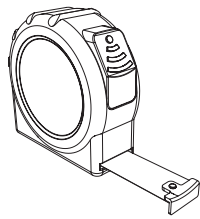


End Caps

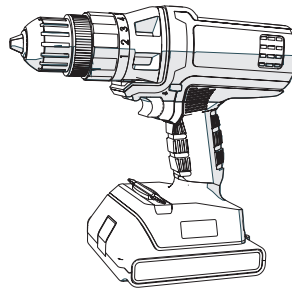


Aluminium Extrusion

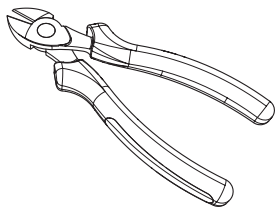
Tools you'll need:



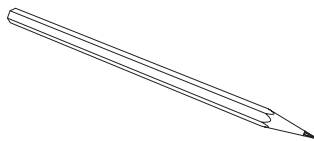
Measuring Tape



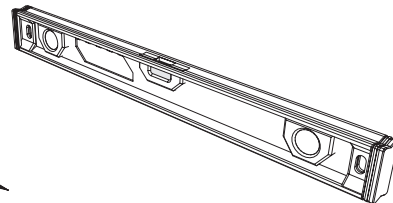
Drill



Side Cutters



Pencil

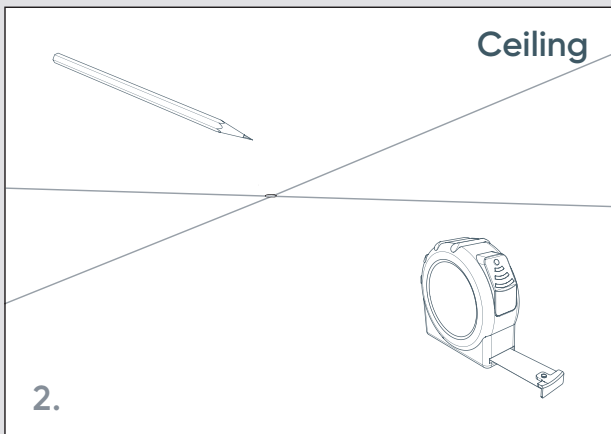
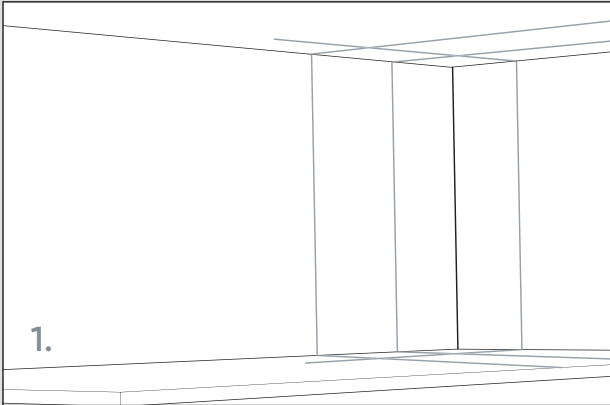


Level



Step 1 and 2

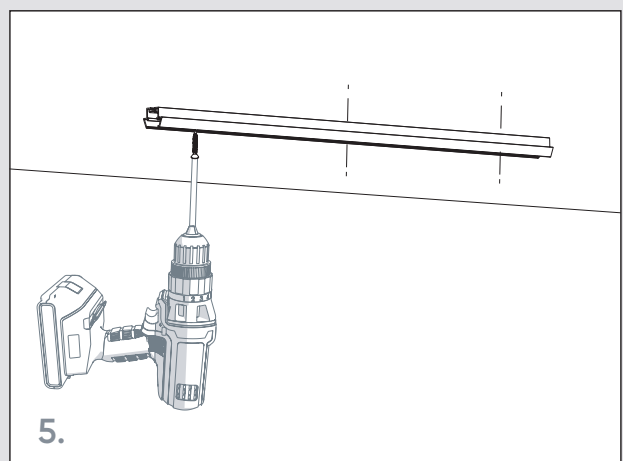
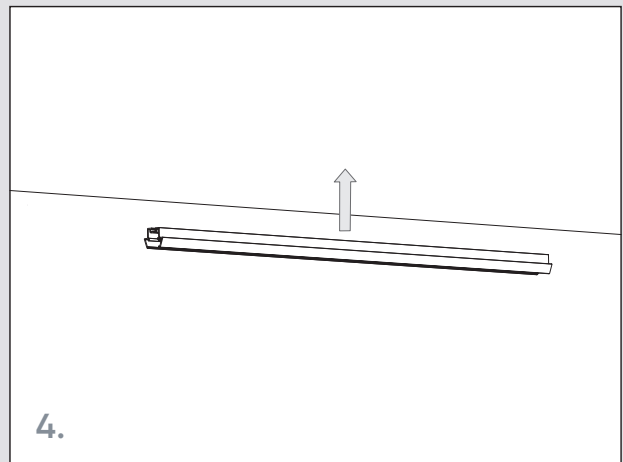
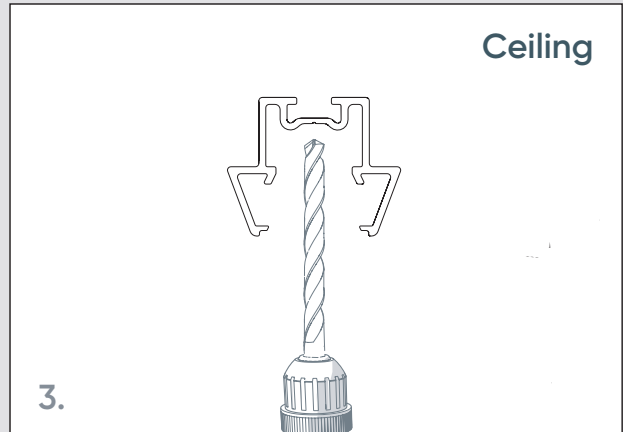
Prepare area and use laser level to mark out desired location of screen.



Step 3, 4 and 5

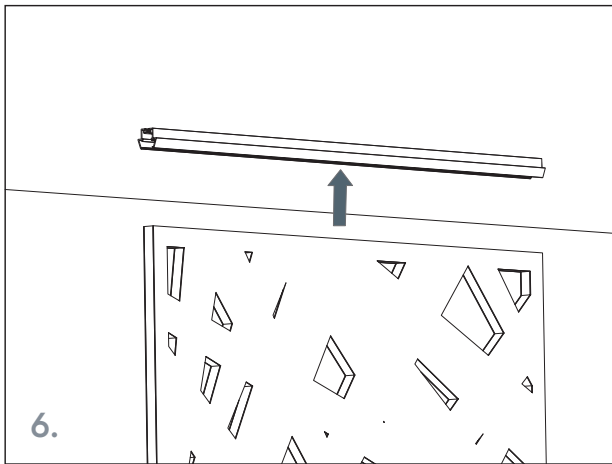
Using the centre line marked on the underside of the extrusion, drill a clearance hole through the aluminium in a minimum of 3 spaces.

Drill the aluminium extrusion into the pre marked location on the ceiling ensuring you are fixing into a structural member.



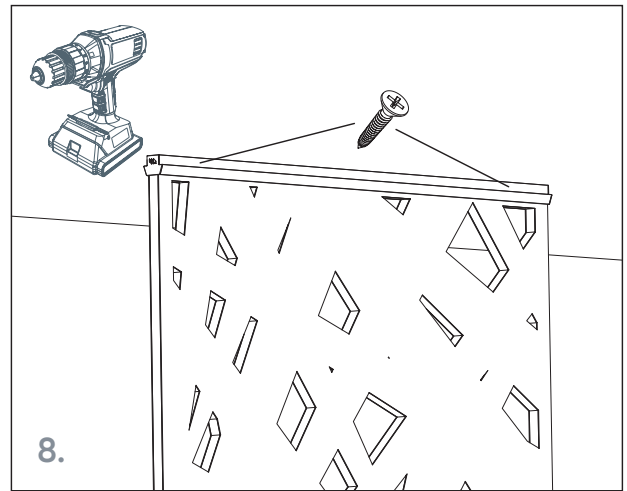
Step 6

Friction fit the panel into the aluminium extrusion ensuring it bottoms out.



Step 8 and 9

For additional fixing you can use the supplied screws to fix the panel through the aluminium.



Step 7

Insert end caps on either side of the aluminium extrusion.

